

Cila Go

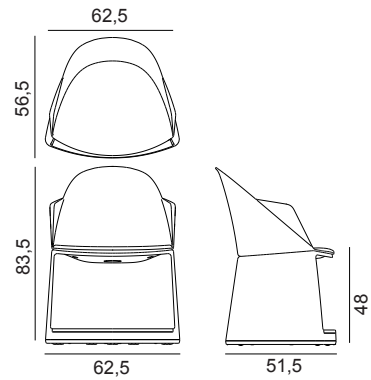
Design by Lievore Altherr, 2018

Art. 2305

Armchair on polypropylene storage base with castors, available in 4 colours. Polypropylene shell available in 5 colours with seat cushion in fabric, leather, coated fabric, or customer's material.



Dimensions *



* File CAD 2D - 3D available for download at www.arper.com

Frame Base



Shell

Polypropylene



arper

www.arper.com

info@arper.com

Cila Go

Design by Lievore Altherr, 2018


Accessories:




Writing tablet 50x33,5 cm
Art. 2307

SHIPMENT DETAILS

Art.2305

1 pz = 2  - kg 19,74/ m³ 0,391

4 pz = 5  - kg 72,95/ m³ 0,993

RESISTANCE TEST

- TUV GS (EN16139)

ENVIRONMENTAL CERTIFICATIONS



TECHNICAL SPECIFICATIONS

Art.2305

COL requirement m² 0.756

H 140 cm. COM Meterage m 0.41

FIRE RETARDANT TEST

arper

www.arper.com
info@arper.com

www.arper.com